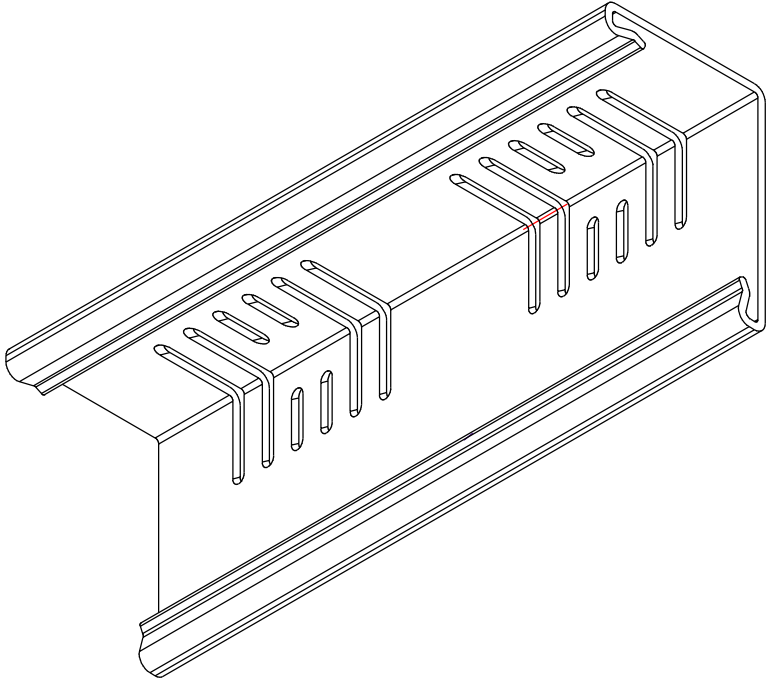


Technical Installation Guidelines

Biobased Roof Edge Profile

Article: 8721398837017



Scope of Application

These installation instructions apply to the biobased roof edge profile and the corresponding biobased connector from New Circle, intended for use with extensive sedum roofs and green roofs.

These instructions relate exclusively to the installation of the aforementioned products and do not apply to the complete roof build-up or waterproofing construction.

Preparation

The choice of substrate, fixing method and desired finish depends on the specific application and is determined by the contractor/installer.

The substrate must be suitable for the selected fixing method and must be free from contaminants that could negatively affect proper installation.

Installation of the Roof Edge Profile

The roof edge profile is installed as an edge finish for the green roof and as a separation between vegetation, substrate and vegetation-free zones.

The profiles can be connected to create a continuous edge finish using the corresponding biobased connectors.

Fixing of the roof edge profile may be carried out by bonding or by another method chosen by the contractor/installer, depending on the application and the desired finish. Bonding is an option, but not a requirement.

Installation of the Connector

The biobased connector is used for connecting and aligning roof edge profiles 60/80. The connector ensures a stable, precise and invisible connection between the profiles and forms an integral part of the biobased roof edge system.

Points of Attention

The selected fixing method must be compatible with the specific roof build-up and application.

When bonding is applied, the product specifications and installation instructions of the adhesive or fixing materials used must be followed.

The roof edge profile and connector must not be forced or modified in a way that could negatively affect their performance or service life.

Deviations and Consultation

Any applications or installation methods that deviate from these instructions must be agreed upon with New Circle in advance.

Limitations and Liability

New Circle is responsible for the quality and performance of the supplied product, provided that it is installed in accordance with these installation instructions.

Responsibility for the selection of fixing materials, substrate, installation method and the overall roof construction lies with the contracting party performing the installation.